

|   |   |  |  |
|---|---|--|--|
| <b>Model:</b> PRIPORT SILVER/SILVER-V/SILVER-V2/SV2P    |   | <b>Date:</b> 30-Sep-03   | <b>No:</b> R-C231-015                            |
| <b>Subject:</b> New model SV2P information (China only) |   | <b>Prepared by:</b><br>M. Ohtsubo,<br>Priport Service Planning Section |  |
| <b>Classification:</b>                                  | <input type="checkbox"/> Troubleshooting  | <input type="checkbox"/> Part information                              | <input type="checkbox"/> Action required         |
|   | <input type="checkbox"/> Mechanical   | <input type="checkbox"/> Electrical                                    | <input type="checkbox"/> Service manual revision |
|   | <input type="checkbox"/> Paper path   | <input type="checkbox"/> Transmit/receive                              | <input type="checkbox"/> Retrofit information    |
|   | <input checked="" type="checkbox"/> Other (New machine information)   |  |  |
| <b>Model Name:</b>                                      |   |  |  |
| SILVER:   | Ricoh JP1010/1030/1045/1050/1055, Gestetner 5306(L/b)/5000/5001/5200, RexRotary 1224(B), nashuatec CP306(b), Savin 3150DNP, Standard SD300              |  |  |
| SILVER-V:   | Ricoh JP1210/1230/1250, Gestetner 5308(L/b)/5300, RexRotary 1225(B), nashuatec CP308(b), Savin 3150eDNP, Standard SD330                                 |  |  |
| SILVER-V2:  | Ricoh JP1250/1215/1235/1255, Gestetner 5300/5308(+/b+)/5309L, RexRotary 1225(+/B+), nashuatec CP308(+/b+), Savin 3160DNP, Standard SD350, Lanier LDD020 |  |  |
| SV2P (China only):                                      | Ricoh JP1260P, Gestetner 5310P  |  |  |

This bulletin contains all service-related information unique to Model SV2P (C253), which is scheduled for official release in China in October 2003. Please add this information to your Silver Series Service Manuals and also refer to RTB #R-C231-013 for Silver-V2 information

**Note:** Please also see MB #M-C237-015 for a list of the components unique to the SV2P.

## 1. OVERALL INFORMATION

### 1.1 DIFFERENT SECTIONS BETWEEN THE C253 AND C248

Service Manual:

| Section | Item                          | Remarks                 |
|---------|-------------------------------|-------------------------|
| 1       | Overall Information           | Some items added.       |
| 2       | Detailed section descriptions | <i>(no differences)</i> |
| 3       | Installation                  | <i>(no differences)</i> |
| 4       | Service tables                | <i>(no differences)</i> |
| 5       | Preventive maintenance        | <i>(no differences)</i> |
| 6       | Replacement and adjustment    | <i>(no differences)</i> |
| 7       | Point to point diagrams       | <i>(no differences)</i> |
| 8       | Printer controller unit       | New documents           |

### 1.2 SEPECIFICATIONS

The specifications are identical to those for the C248, except that an embedded Printer Controller Unit has been added.

| No. | Item                    | Remarks  |
|-----|-------------------------|--|
| 1   | Model names             | Ricoh Priport JP1260P (C253-96)<br>Gestetner 5310P (C253-82) |
| 2   | Printer controller unit | Embedded Printer Controller Unit fitted as standard          |
| 3   | Printer drivers         | Drivers support Chinese                                      |

---

## 8. PRINTER CONTROLLER UNIT






### Trademarks

Microsoft®, Windows®, and MS-DOS® are registered trademarks of Microsoft Corporation in the United States and/or other countries.

Other product names used herein are for identification purposes only and may be trademarks of their respective companies. We disclaim any and all rights involved with those marks.

### Symbols

This manual uses several symbols. The meanings of these symbols are as follows:

|   |                 |
|---|-----------------|
|  | See or Refer to |
|  | Clip ring       |
|  | E-ring          |
|  | Screw           |
|  | Connector       |

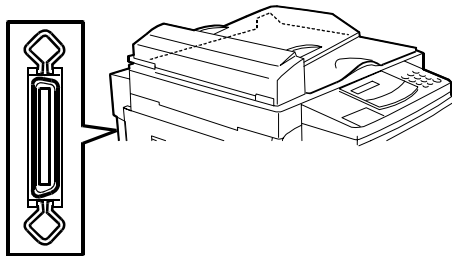
**Model:** PRIPORT SILVER/SILVER-V/SILVER-V2/SV2P**Date:** 30-Sep-03**No:** R-C231-015

## INSTALLATION

The SV2P is equipped with a standard printer controller unit and Video I/F board. Connect the printer controller unit to the host computer with a parallel cable. Then, install the printer driver in the host computer.

|                             |   |
|-----------------------------|---|
| Host computer               | IBM PC/AT compatible PC                             |
| Interface                   | IEEE1284B (Compatible, Nibble, ECP)                 |
| Operating Systems Supported | Windows 95/98/Me, Windows NT4.0,<br>Windows 2000/XP |
| Printer Driver              | Digital Duplicator B4 300 GDI                       |

**NOTE:** The Printer drivers for Windows NT4.0 are only for the Intel x86 platform. There is no Windows NT4.0 printer driver for the PowerPC, Alpha, or MIPS platforms.



## REPLACEMENT AND ADJUSTMENT

### ⚠ CAUTION

Before removing any of the controller components, make sure to do the following:

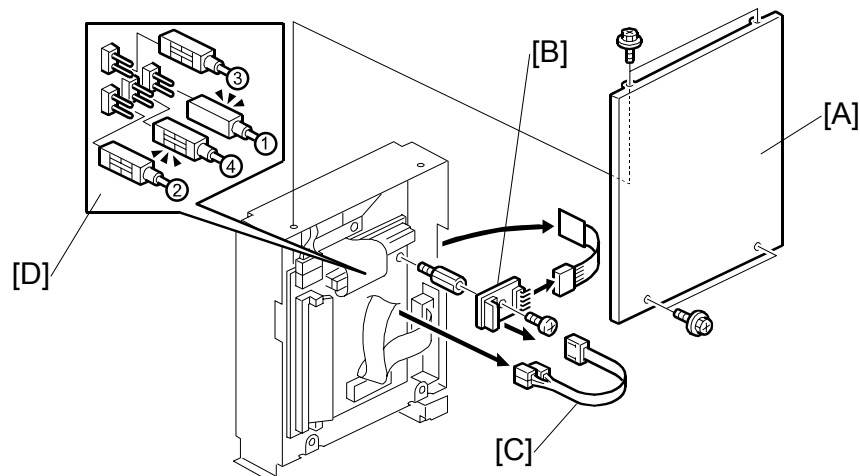
1. If the 'data-in' lamp on the operation panel is blinking or lit, wait until the document or report is printed. Then turn off the machine.
2. Turn off the main switch. Then disconnect the power cord from the outlet and the cable from the machine.

**NOTE:** This manual uses the following symbols:

Screw: 

Connector: 

## CONTROLLER BOARD MEMORY

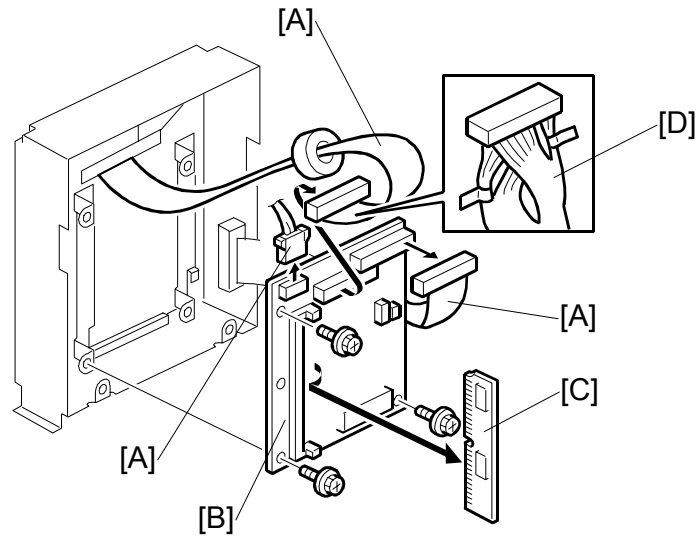


C249R951.WMF

[A]: Cover

[B]: Keypad board

**NOTE:** When you attach the connector [C] make sure to attach it in the correct direction and position [D].



C249R952.WMF

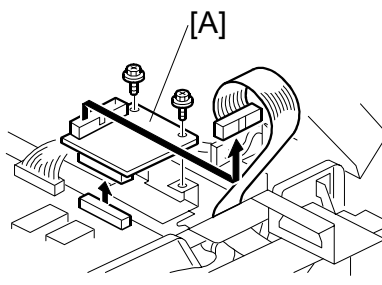
[A]: Connector

[B]: Printer controller board

[C]: SIMM module

**NOTE:** The twisted portion of the harness [D] should fit loosely and close to the controller board.

## VIDEO I/F BOARD



[A]: Video I/F Board

**LOAD PROGRAM**

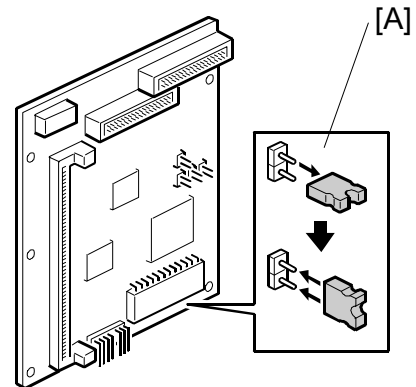
This procedure is for upgrading the system firmware for the controller.

**NOTE:** If the controller does not start up after a firmware update, try to download the firmware again. If it still does not work, you may need to replace the flash ROM on the printer controller board.

**⚠ CAUTION**

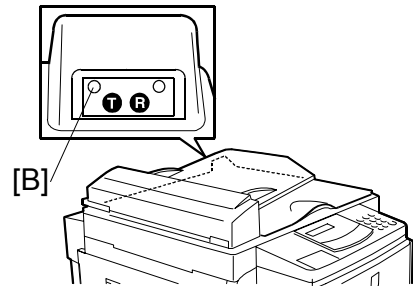
**Do not turn off the machine while downloading the firmware.**

1. Before downloading new firmware, print the test page. Then check the current version.
2. Turn off the machine.
3. Remove the rear cover and the controller cover.
4. Put the jumper next to the flash ROM into the position [A].
5. Turn on the machine.
6. Boot up the PC and access the MS-DOS prompt or Command Prompt.
7. Use the COPY command to update the flash ROM. e.g. "copy file\_name LPT1:" (where LPT1 is the connected port).



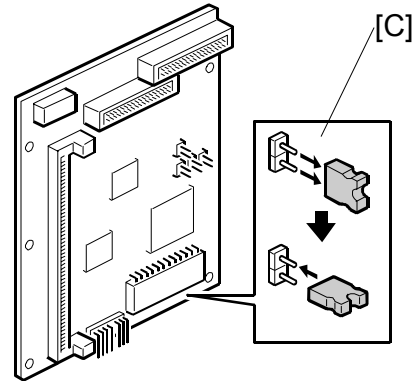
C249R957.WMF

8. While the flash ROM is updating, the left LED [B] on the control button board remains lit.



**Model:** PRIPORT SILVER/SILVER-V/SILVER-V2/SV2P**Date:** 30-Sep-03**No:** R-C231-015

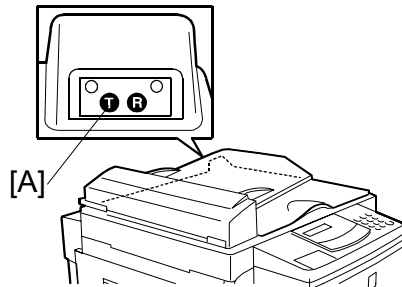
9. When the left LED flashes rapidly, the process has completed.
10. Turn off the machine.
11. Put the jumper into the off position [C] next to the flash ROM.
12. Turn on the machine and then print out the test page using the test page button. Then check the new version.



C249R958.WMF

## TEST PAGE

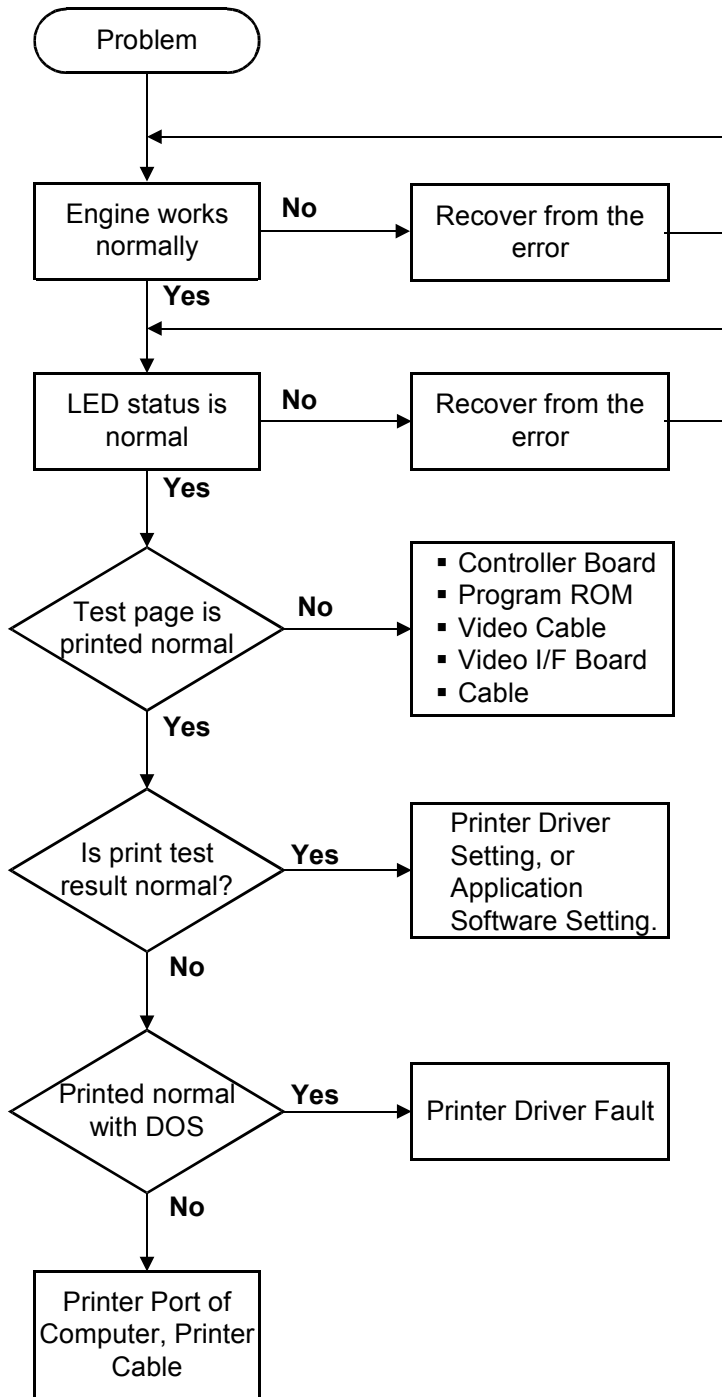
Press the test page button [A] on the keypad board. The right LED will start to flash quickly. This indicates that the controller is in the process of creating the test page.



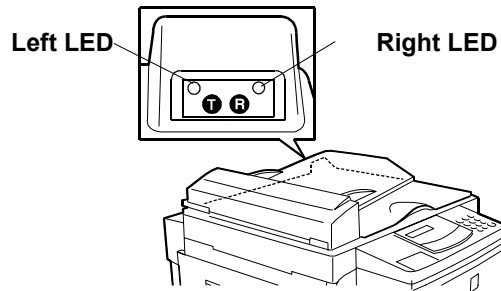


**TROUBLESHOOTING**

**TROUBLESHOOTING FLOWCHART**



**LED STATUS LIGHT SEQUENCE AND CONDITIONS**



***Power on and activation***

| <b>STATUS</b>                       | <b>CONTENTS</b>                      | <b>CHECK POINT</b>   |
|-------------------------------------|--------------------------------------|--|
| All LEDs are off                    | No power supply                      | No AC power.<br>AC cord not properly connected.<br>Power supply failure in the controller. |
| Right LED is on                     | Power on                             | -  |
| Left LED is flashing                | Self-diagnostic test before ready    | -  |
| Left LED is flashing rapidly        | Receiving data                       | -  |
| Left LED is on continuously         | Transferring data<br>Making a master | -  |
| Left LED is continuously off        | Idle                                 | -  |
| Left LED flashing slowly and evenly | Error on engine                      | Check message on operation panel.  |

**Model:** PRIPORT SILVER/SILVER-V/SILVER-V2/SV2P**Date:** 30-Sep-03**No:** R-C231-015***Test page button***

| <b>STATUS</b>                                 | <b>CONTENTS</b>              | <b>CHECK POINT</b>   |
|---|------------------------------|--|
| Left LED is flashing                          | Receiving data               | -  |
| Left LED is on                                | Making a master              | -  |
| Left LED continuously on                      | Printing                     | -  |
| Left LED flashes and goes off. LED stays off. | No response from the engine. | Turn the engine Off/On.<br>Check if the controller is properly connected to the engine.<br>Check if the engine is online.<br>Check if SIMM card is positioned correctly. |
| Left LED flashes slowly and evenly.           | Engine error                 | Check the error message on the engine.<br>Check if the controller is properly connected to the engine.   |

## PRINTER DRIVER OPERATION

If the Windows test page does not print or does not look right, check the printer driver operation using these steps:

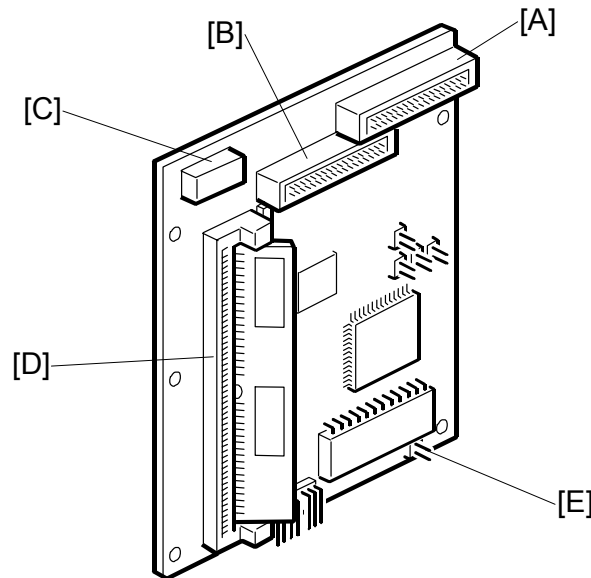
1. Select the Details tab in the Properties menu of the printer driver.
2. Change the port connection to "File:"
3. Click the Apply button. Then select the General tab and click the Print test page button.
4. Set the file name (e.g. test.prn). Then set the disk/directory location. Save the file.
5. Click "YES" when the message pops up and asks whether the test page printed correctly.
6. Access the MS-DOS prompt or Command Prompt.
7. Check that the engine and controller are ready for printing. Then execute the following command at the MS-DOS prompt or Command Prompt. "copy /b test.prn lpt1"  
**NOTE:** 1) Always input "/b" after the Copy command.  
2) The above example applies if the file name saved in the step 4 is "test.prn".  
3) If the controller is connected to the second PC port, replace "lpt1" with "lpt2".
8. Input "exit". Then exit from the MS-DOS prompt or command prompt.
9. If the test page has printed correctly, change the printer driver port from "File:" back to its previous setting.

## SERVICE TABLE

There are no SP modes for the printer controller unit.

**DETAILED DESCRIPTIONS**

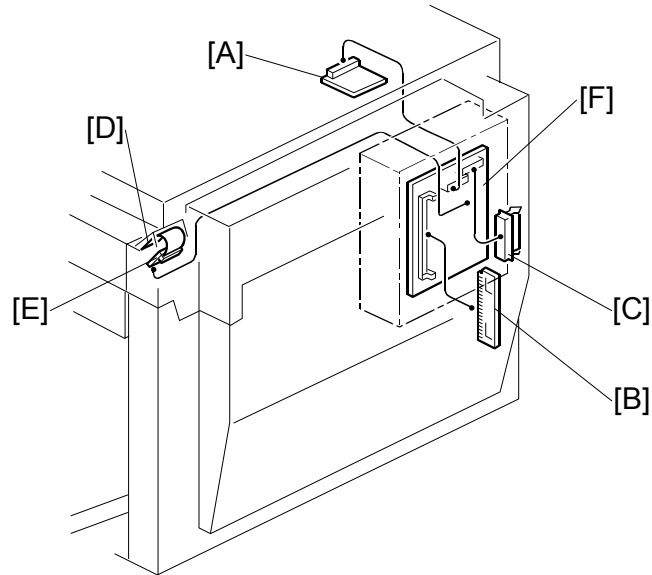
**OVERVIEW**



C249D950.WMF

| DESCRIPTION | CONTROLLER               |
|-------------|--------------------------|
| CPU         | Analog Devices ADSP chip |
| RAM         | 16MB (SIMM)              |
| Flash ROM   | 1MB EPROM                |

| REF. | CONNECTOR               |               | DESCRIPTION                    |
|------|-------------------------|---------------|--------------------------------|
|      | Name                    | Configuration |                                |
| A    | IEEE1284 I/F            | 26-pin socket | To IEEE1284 Interface          |
| B    | Engine Interface        | 26-pin socket | To video I/F board             |
| C    | Power connector         | 4-pin socket  | To power cable                 |
| D    | SIMM Interface          | 72-pin SIMM   | For connecting the SIMM module |
| E    | Upgrade firmware jumper | 2-pin         | Upgrading controller firmware  |

**MACHINE LAYOUT**

| REF. | COMPONENT                |
|------|--------------------------|
| A    | Video Interface Board    |
| B    | SIMM Module              |
| C    | IEEE1284 Interface       |
| D    | Control Button Board     |
| E    | Keypad Board             |
| F    | Printer Controller Board |

**Model:** PRIPORT SILVER/SILVER-V/SILVER-V2/SV2P**Date:** 30-Sep-03**No:** R-C231-015**SEPECIFICATIONS**

|                             |  |
|-----------------------------|--|
| Controller Type             | Embedded   |
| Configuration               | Internal embedded controller                             |
| Printer Language            | GDI  |
| Print Resolution            | 300dpi   |
| Memory (RAM)                | 16MB (SIMM)  |
| Resident Fonts              | None   |
| Host Interface              | IEEE1284B (Compatible, Nibble, ECP)                      |
|                             |  |
| Host PC                     | IBM PC/AT compatible PC                                  |
| Operating Systems Supported | Windows 95/98/Me, Windows NT4.0 (*1),<br>Windows 2000/XP |
| Printer Driver              | Digital Duplicator B4 300 GDI                            |

**NOTE:** The Printer drivers for Windows NT4.0 are only for the Intel x86 platform. There is no Windows NT4.0 printer driver for the PowerPC, Alpha, or MIPS platforms.